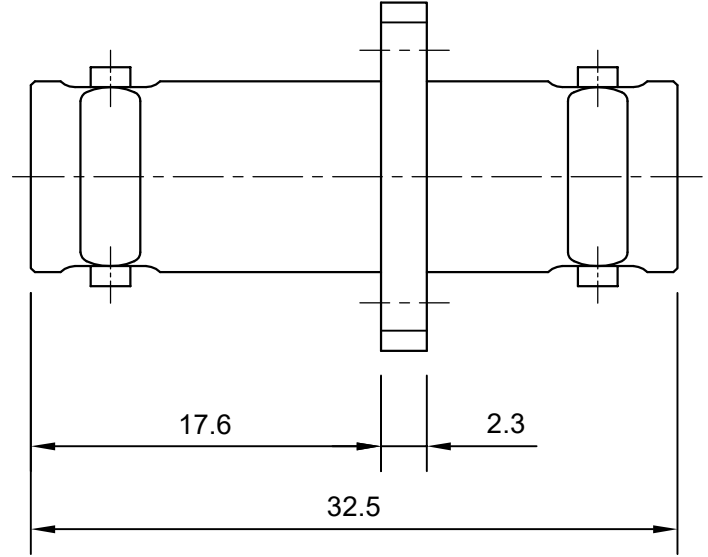
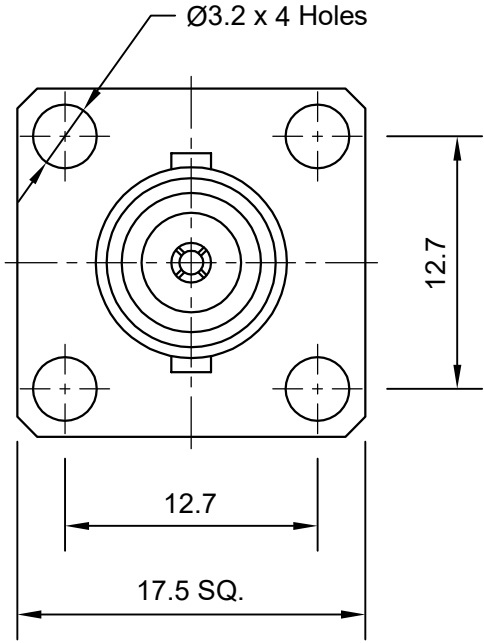


RevNo	Revision note	Date	Signature	Checked



**TECHNICAL DATA**

Type	Adapter
Orientation	Straight
Impedance (Ohms)	50
Adapter Side 1	BNC
Side 1 Gender	Jack
Adapter Side 2	BNC
Side 2 Gender	Jack
Body Finish	Nickel
Body Material	Brass
Contact Finish	Gold
Contact Material	Phosphor Bronze
Insulator Material	Delrin
Max. Frequency (GHz)	4
Mounting Feature	4 Hole Panel Mount
Min. Temp. (Celsius)	-65
Max. Temp. (Celsius)	85
Weight (Grams)	14.5

FILE PATH: D:\VINSUR\DRAWINGS -- VINSUR\ADAPTERS\BNC - BNC  
 FILE NAME: ADAPTER - BNC Female to BNC Female 4 Hole Panel Mount - VSW-AD-217211-S.dwg

SIZE

DRAWN VINAY 27.10.2018
CHECK
APPR. VINAY 27.10.2018
ISSUED
REV R0

SHEET 1 of 1	SCALE NTS
<b>RF ADAPTER</b>	
<b>BNC Female to BNC Female</b>	
4 HOLE PANEL MOUNT TYPE	
DWG NO	<b>VSW-AD-217211-S</b>